

DAILY PROPS LIST

Day 1

- Overstuffed chair
- Storyteller's notebook (see NOTES below)
- Box of donuts
- Margot's briefcase
- Margot's cell phone
- Margot's newspaper
- Index card (with Walt's Arctic address)
- Father's "well-worn" Bible
- Walt's fishing gear
- Walt's two cardboard fish (see NOTES below)
- Storyteller's pen
- Box with supplies/groceries
- Gift-wrapped Bible
- Dusty's keys

Day 2

- Storyteller's notebook
- Pitcher of water and cup
- Towel
- Walt's fleece jacket
- Walt's boots
- Walt's toothbrush
- Walt's comb
- Moose jerky
- Bobbie's GPS device (see NOTES below)
- Piece of mail

Day 3

- Storyteller's travel coffee mug

- Storyteller's notebook
- Wonder Crunch cereal box (see NOTES below)
- Firewood
- Coffee pot and mugs
- Ralphie's turkey call diaphragms (see NOTES below)
- Bobbie's backpack
- Dogsled (see NOTES below)

Day 4

- Storyteller's notebook
- Storyteller's cell phone
- Metal detector and headphones (see NOTES below)
- Coffee pot and mugs
- Walt's Bible

Day 5

- Storyteller's notebook
- Margot's suitcase (with clothes, etc. to pack)
- Walt's Bible
- Margot's Bible
- Ralphie's backpack
- Walt's large stick
- Small shovel
- Bobbie's notepad and pen
- Part of a dog leash
- Walt's coat
- Margot's coat
- Large, dirty suitcase stuffed with Bibles
- Tangled heap of rope
- Dusty's state trooper badge
- Walt's duffle bag

NOTES

STORYTELLER'S NOTEBOOK (WITH LARGE PRINT SCRIPTS)

Use a black 3-ring binder to hold the daily scripts. Because the Storyteller reads a significant portion of her lines, large print scripts have been provided for easier reading on stage. See the Resource DVD-ROM for the large print editions.

WALT'S CARDBOARD FISH

Make a couple fish with cardboard and paint, or purchase some large cardboard fish cutouts.

BOBBIE'S GPS DEVICE

Use a device that has an antenna, like a weather radio, a walkie-talkie, or a toy car remote control.

WONDER CRUNCH CEREAL BOX

Print a copy of the Wonder Crunch Cereal image and attach it to a cereal box. Cover the rest of box, as necessary, with bright yellow cardstock.

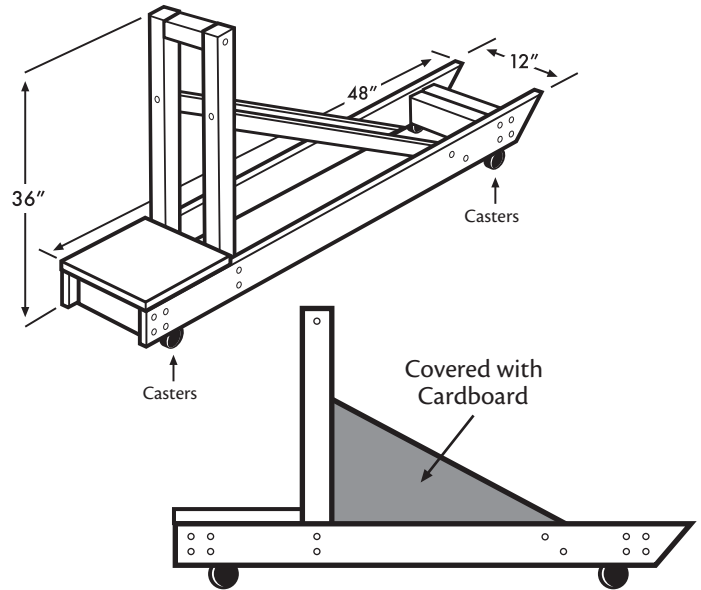
RALPHIE'S TURKEY CALL DIAPHRAGM

Make two or more plastic "diaphragms" by cutting 2-in. circles out of the side(s) of a plastic milk or juice jug.

DOGSLED

Find someone who's "handy" and have them construct a simple, compact dogsled-looking cart. Because it will be positioned at the back of the stage, it doesn't need to look perfectly authentic, but just convey the idea of a dogsled. Be sure to equip it with casters so it will roll easily. Also, add screw eyelets on each side to attach the

rope that will be used to pull it backstage on Day 3. And don't forget to practice with it several times so there are no surprises during the performance!



METAL DETECTOR (WITH HEADPHONES)

Use a laminate floor mop that can be disassembled into at least 3 pieces. Then attach a large round cardboard disk to the end and a small box to the shaft to make it look more like a metal detector. Poke a hole in the small box to serve as the headphones cord jack. Bobbie Escobar has a rather lengthy scene where she assembles the "metal detector," so the more separate pieces she has to work with the better! Check [YouTube.com/AnswersVBS](https://www.youtube.com/AnswersVBS) for a video showing how to make this.